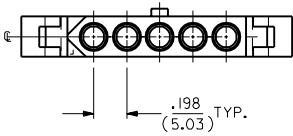
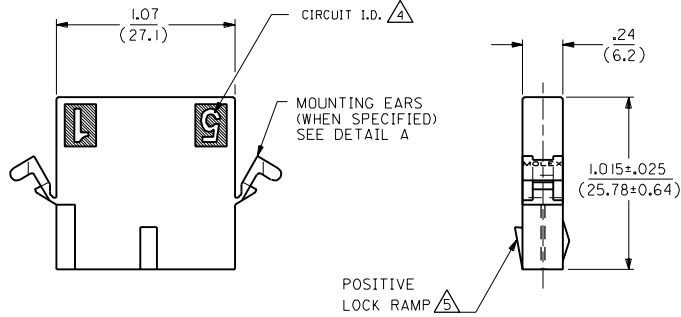
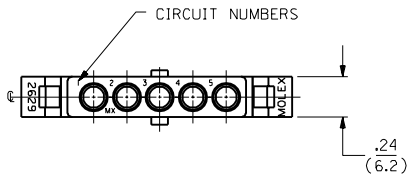
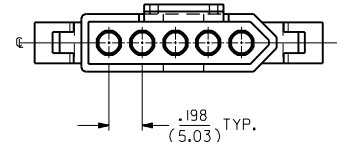
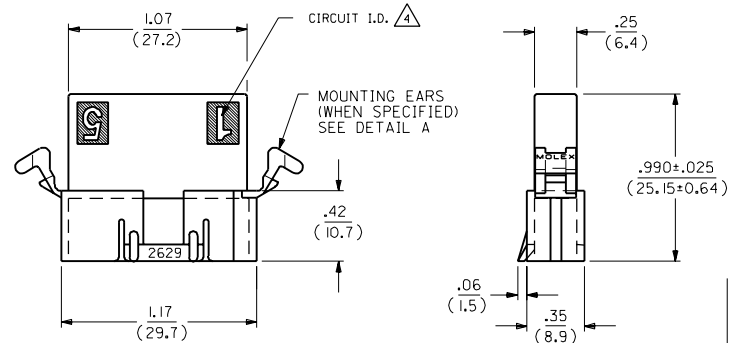
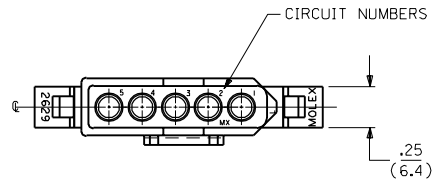


# RECEPTACLE



VIEW OF RECEPTACLE VERSION  
WITH PASSIVE LOCK RAMPS

# PLUG



J	REVISED PER ECN # U61508 05/31/96 CM
I	X-REMOVE -R2 ECN # U6 1080 3-6-96 RW
K	ADD PASSIVE LOCKS ECN # U5 0529 11-30-94 RW
J	ADD -P2 W/EDP # ECR U3 0450 GC 4/1/93 RW
I	X-REMOVE ECR U2 1105 GC 1/29/92 RW
HI	ADD -C MAT'L PER ECR U2 0741 GC 5/7/92 RW
H	REVISE PER ECR U1 2237 GC 1/9/92 RW
G	REVISED & REDRAWN ECR # UB1801 KBW 02-03-89 RW

2	J	
1	J	
MFG.	SH.	REV.
		LTR.

UNLESS OTHERWISE SPECIFIED TOLERANCES: ANGULAR ± DMS

DIMENSIONS SHOWN (METRIC) INCH		▽ = 0	▼ = 0
INCH	METRIC		
3 PLACE ± .010	---		
2 PLACE ± .014	± 0.25		
1 PLACE ---	± 0.35		

DRAFT WHERE APPLICABLE MUST REMAIN WITHIN DIMENSIONS

TITLE: .093/(2.36) HOUSINGS PLUG & RECEPTACLE 5 CIRCUIT ± .198/(5.03)C

PART NO. SEE CHART

MOLEX INCORPORATED L15LEJLL 60532 U.S.A.

SHEET NO. 1 OF 2 DATE 2/3/89

DRWG. NO. SD-2629-\*

DRWG. BY: KBW CHKD. BY: RW

APP'D. BY: RAS SCALE: 2:1

FILE NAME: S26295X1.DWG

THIS DRAWING CONTAINS INFORMATION THAT IS PROPRIETARY TO MOLEX INC. AND SHOULD NOT BE USED WITHOUT WRITTEN PERMISSION.

2629

PLUG		RECEPTACLE	
ORDER NO	ENG NO	ORDER NO	ENG NO
03-09-2057	2629-P1	03-09-1057	2629-R1
PRELIMINARY	2629-P	PRELIMINARY	2629-R
		03-09-1054	2629-R2

LEGEND:

2629-\*\*\*\*-\*

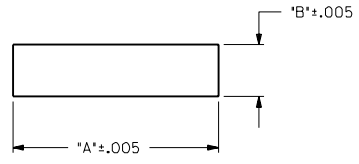
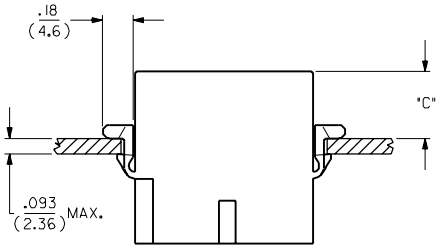
TYPE: \_\_\_\_\_  
 P = PLUG  
 R = RECEPTACLE

PLUG FEATURES: \_\_\_\_\_  
 BLANK = WITH PREBENT EARS  
 I = WITHOUT EARS

RECEPTACLE FEATURES: \_\_\_\_\_  
 BLANK = WITH PREBENT EARS, WITH POSITIVE LOCK RAMP  
 1 = WITHOUT EARS, WITH POSITIVE LOCK RAMP  
 2 = WITHOUT EARS, WITH PASSIVE LOCK RAMP

COLOR: \_\_\_\_\_  
 BLANK = NATURAL COLOR  
 AM = AMBER BK = BLACK BU = BLUE  
 BN = BROWN CY = GRAY GN = GREEN  
 OR = ORANGE RD = RED YW = YELLOW

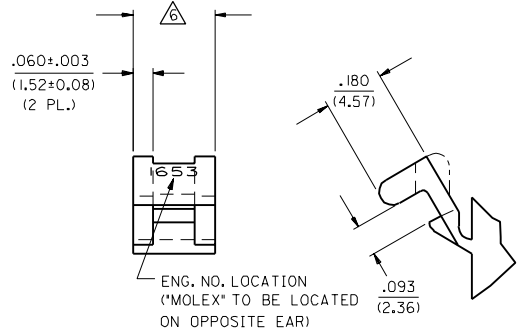
MATERIAL: \_\_\_\_\_  
 BLANK = NYLON TYPE 66, 94V-2 PER SMES-128-A-\*



RECOMMENDED PANEL OPENING

HOUSING	DIM. 'A'	DIM. 'B'	'C' PREBENT EAR
PLUG	1.33/(13.78)	.42/(10.67)	.40/(10.1)
RECEPT.	1.23/(31.24)	.31/(7.87)	.42/(10.6)

- NOTES:
- MOLEX PRODUCT SPEC 02-09 APPLIES.
  - 2629-P\* (PLUG) WILL ACCEPT 2629-R\* 5 CIRCUIT RECEPTACLES OR 1490-R\* 4 CIRCUIT RECEPTACLE.
  - ACCEPTS MOLEX .093 SERIES TERMINALS.
  - CIRCUIT I.D. NUMBERS ON HOUSING APPEAR ON PARTS FROM TOOLS BUILT AFTER 1/6/92.
  - LOCK RAMP ON THIS SIDE OF PART AVAILABLE IN EITHER A POSITIVE LOCK RAMP OR PASSIVE LOCK RAMP STYLE.
  - FOR DIMENSION, SEE SHEET 1.



DETAIL A  
 .093/(2.36) PREBENT MOUNTING EAR  
 (SCALE 4:1)

DIMENSIONS SHOWN (METRIC) INCH		▽=0 ▼=0		REVISE ONLY ON CAD SYSTEM	
UNLESS OTHERWISE SPECIFIED TOLERANCES: ANGULAR ± .040°		TITLE		.093/(2.36) HOUSINGS PLUG & RECEPTACLE	
INCH METRIC		FILE NAME		5 CIRCUIT .198/(5.03)C	
3 PLACE ± .010 --- ± 0.25		L15LEJLL		MOLEX INCORPORATED	
2 PLACE ± .014 --- ± 0.35		60532		SHEET NO. 2	
1 PLACE --- ± 0.35		DATE		2 / 3 / 89	
DRAFT WHERE APPLICABLE MUST REMAIN WITHIN DIMENSIONS		PART NO.		SEE CHART	
DRWG. BY KBW		DRWG. NO.		SD-2629-*	
APP'D. BY RAS		SCALE		2:1	
LTR. REVISIONS		LTR. REVISIONS		DIV. CP	

6292

A